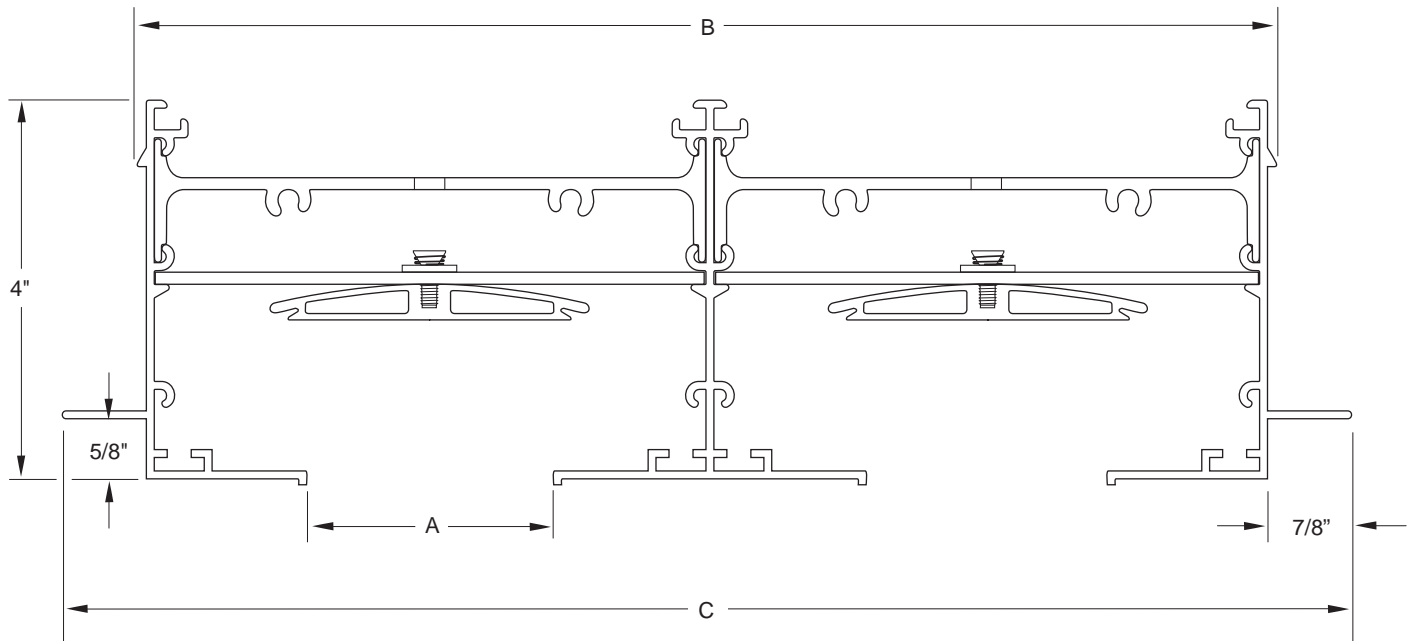


# DIMENSIONAL DATA 2-1/2 INCHES - MCS FRAME

FOR CONCEALED MOUNTING IN HARD SURFACES



MODEL	SLOT	A	B	C
<b>201-250 MCS</b>	1	2-1/2	6	7-1/2
<b>202-250 MCS</b>	2	2-1/2	11-3/4	13-1/4
<b>203-250 MCS</b>	3	2-1/2	17-1/2	19
<b>204-250 MCS</b>	4	2-1/2	23-1/4	24-3/4
<b>205-250 MCS</b>	5	2-1/2	29	30-1/2
<b>206-250 MCS</b>	6	2-1/2	34-3/4	36-1/4
<b>207-250 MCS</b>	7	2-1/2	40-1/2	42
<b>208-250 MCS</b>	8	2-1/2	46-1/4	47-3/4

(Dimensions in inches)

**Note:**

- 1) See plenum details for various applications.
- 2) Diffuser neck supplied 1/4" undersize in overall length.
- 3) Sidewall application will be the same dimensionally.
- 4) Greater number of slots are available.
- 5) Normally supplied with butt style end caps.