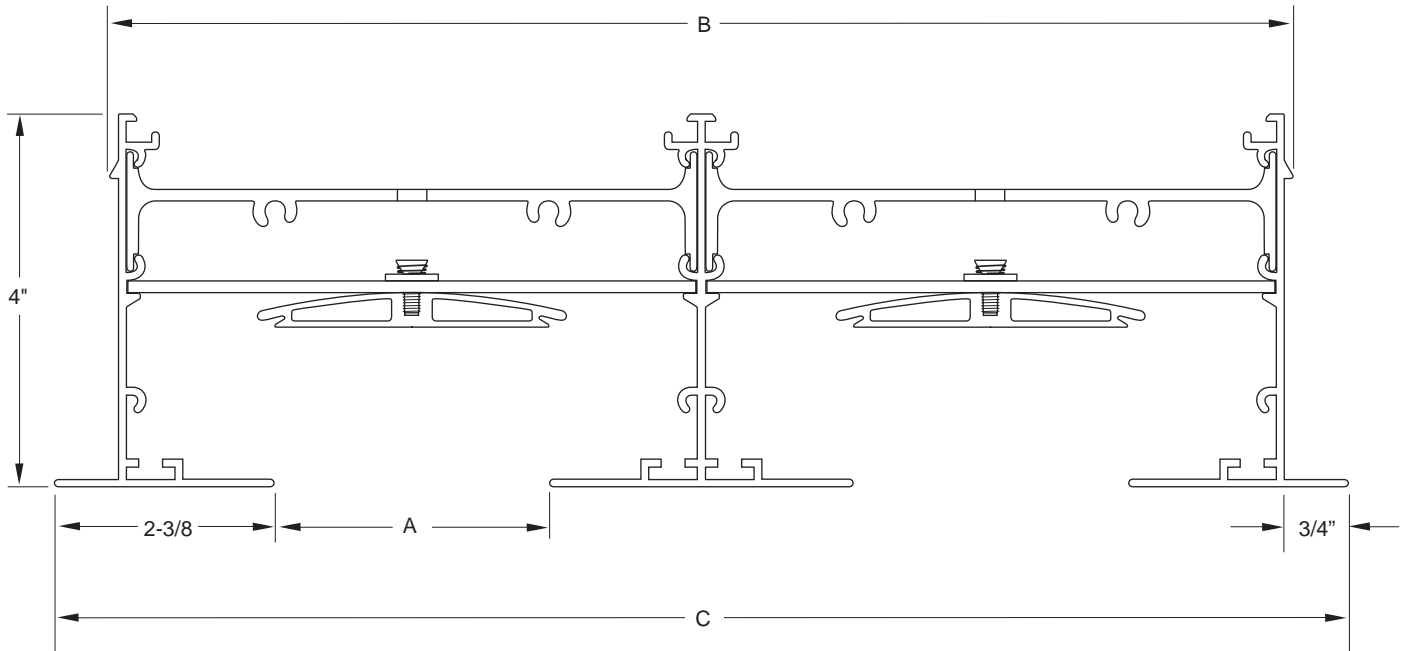


# DIMENSIONAL DATA 3 INCHES - LTTB FRAME

FOR T-BAR CEILING INSTALLATIONS



MODEL	SLOT	A	B	C
201-300 LTTB	1	3	6-1/2	7-3/4
202-300 LTTB	2	3	12-3/4	14
203-300 LTTB	3	3	19	20-1/4
204-300 LTTB	4	3	25-1/4	26-1/2
205-300 LTTB	5	3	31-1/2	32-3/4
206-300 LTTB	6	3	37-3/4	39
207-300 LTTB	7	3	44	45-1/4
208-300 LTTB	8	3	50-1/4	51-1/2

(Dimensions in inches)

**Note:**

- 1) See plenum details for various applications.
- 2) Diffuser neck supplied 1/4" undersize in overall length.
- 3) Greater number of slots are available.
- 4) Normally supplied with butt style end caps.