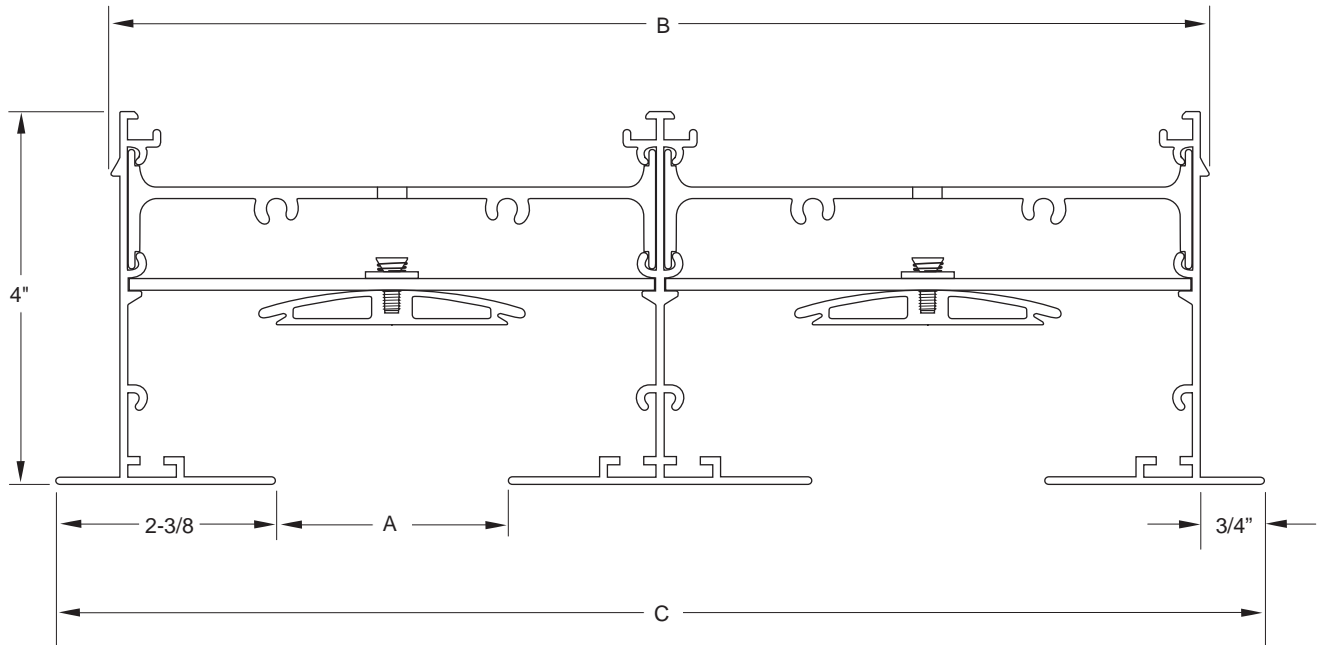


DIMENSIONAL DATA 2-1/2 INCHES - LTTB FRAME

FOR T-BAR CEILING INSTALLATIONS



| MODEL | SLOT | A | B | C |
|--------------|------|-------|--------|--------|
| 201-250 LTTB | 1 | 2-1/2 | 6 | 7-1/4 |
| 202-250 LTTB | 2 | 2-1/2 | 11-3/4 | 13 |
| 203-250 LTTB | 3 | 2-1/2 | 17-1/2 | 18-3/4 |
| 204-200 LTTB | 4 | 2-1/2 | 23-1/4 | 24-1/2 |
| 205-250 LTTB | 5 | 2-1/2 | 29 | 30-1/4 |
| 206-250 LTTB | 6 | 2-1/2 | 34-3/4 | 36 |
| 207-250 LTTB | 7 | 2-1/2 | 40-1/2 | 41-3/4 |
| 208-250 LTTB | 8 | 2-1/2 | 46-1/4 | 47-1/2 |

(Dimensions in inches)

Note:

- 1) See plenum details for various applications.
- 2) Diffuser neck supplied 1/4" undersize in overall length.
- 3) Greater number of slots are available.
- 4) Normally supplied with butt style end caps.