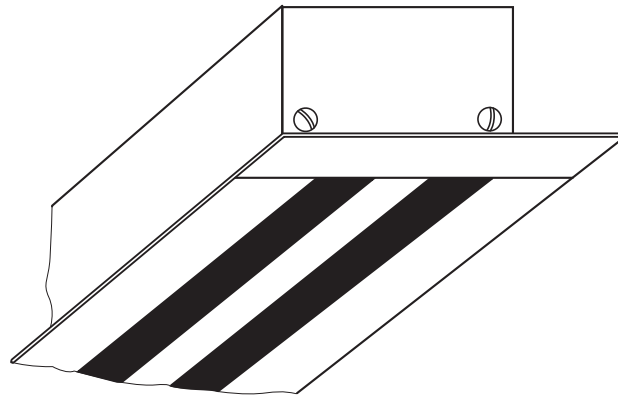


END CAP / BUTT CAP DETAILS

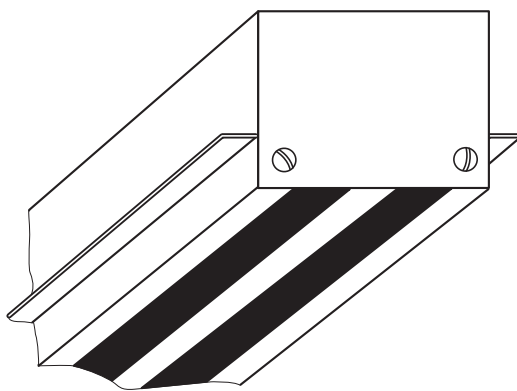
TYPE "FC"



END CAP FLANGED

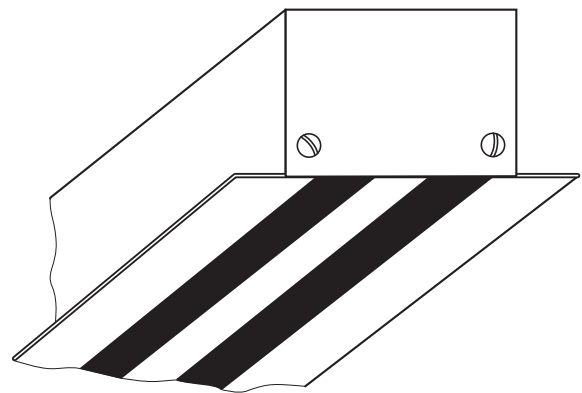
This cap is used for hard surface mounting

TYPE "BC"



BUTT CAP - FLAT "CS" FRAME

This cap is used for spline, tegular and donn fineline.



BUTT CAP - FLAT "LT" FRAME

This cap is used for T-bar.